

LEVER SWITCH

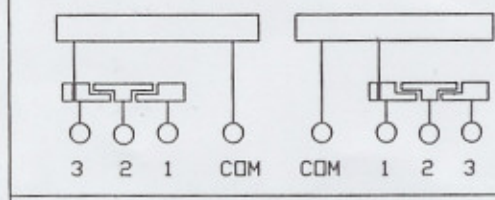
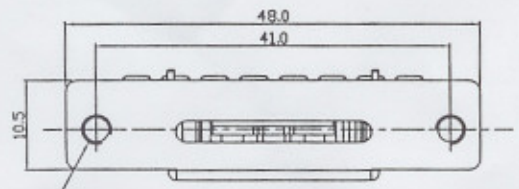
MODEL

SL11803 -0203-178H-FN

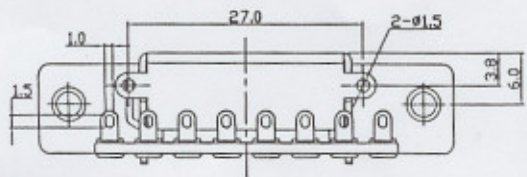
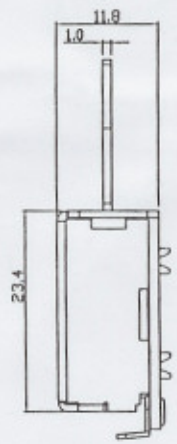
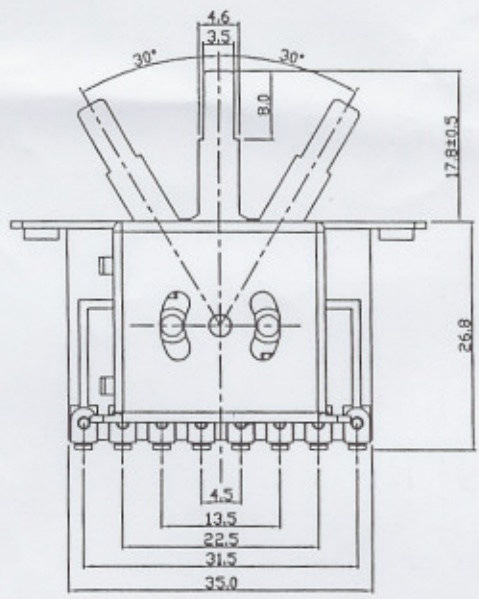
SPECIFICATIONS

Rating	DC 16V 0.1 A
Contact Resistance	200 mΩ Max.
Insulation Resistance	DC500V-100 MΩ Min.
Withstand Voltage	AC100V-1 Minute
Operating Force	300gf.cm ±200gf
Life cycle	5,000 cycles
Sizes (m.m.)	As Following Drawings

台灣艾華電子工業股份有限公司
NOV 08 2005
收文日



SCHEMATIC



2005.10.28 圖面重繪 萬祥

台灣艾華電子工業股份有限公司
文管中心
94.11.3
發行

NO.	DATE	DESCRIPTION	PART NO.	NAME		
TOL, UNLESS OTHERWISE STATED	DIMENSION	SCALE	DRAWN BY	CHECKED BY	APPROVED BY	DRAWING NO.
less than 10	±0.3	2/1	萬祥	[Signature]	[Signature]	
above 10 ~ 30	±0.5					
above 30 ~ 100	±1.0					
above	±5'					
			2005.09.07			